



WELBILT[®]

Bringing innovation to the table

Parts Manual

For more Parts Information:

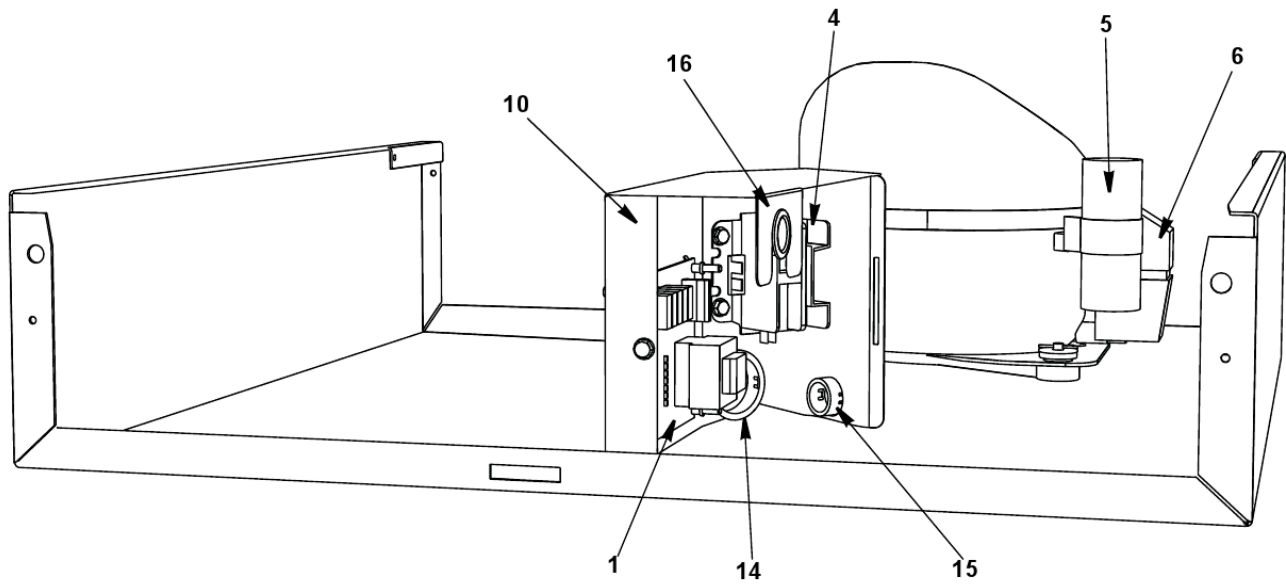
<https://manitowocfsg.sysonline.com/Default.aspx>

TABLE OF CONTENTS

UF0240	
UF0240 - Control Box Components	1
UF0240 - Evaporator Compartment - Common Components	3
UF0240 - Refrigeration Compartment - Common Components	6
UF0240 - Refrigeration Compartment - Air-cooled Components	9
UF0240 - Refrigeration Compartment - Water-cooled Components	11
UF0240 - Panels	13

UF0240

UF0240 - Control Box Components



UF0240

UF0240 - Control Box Components

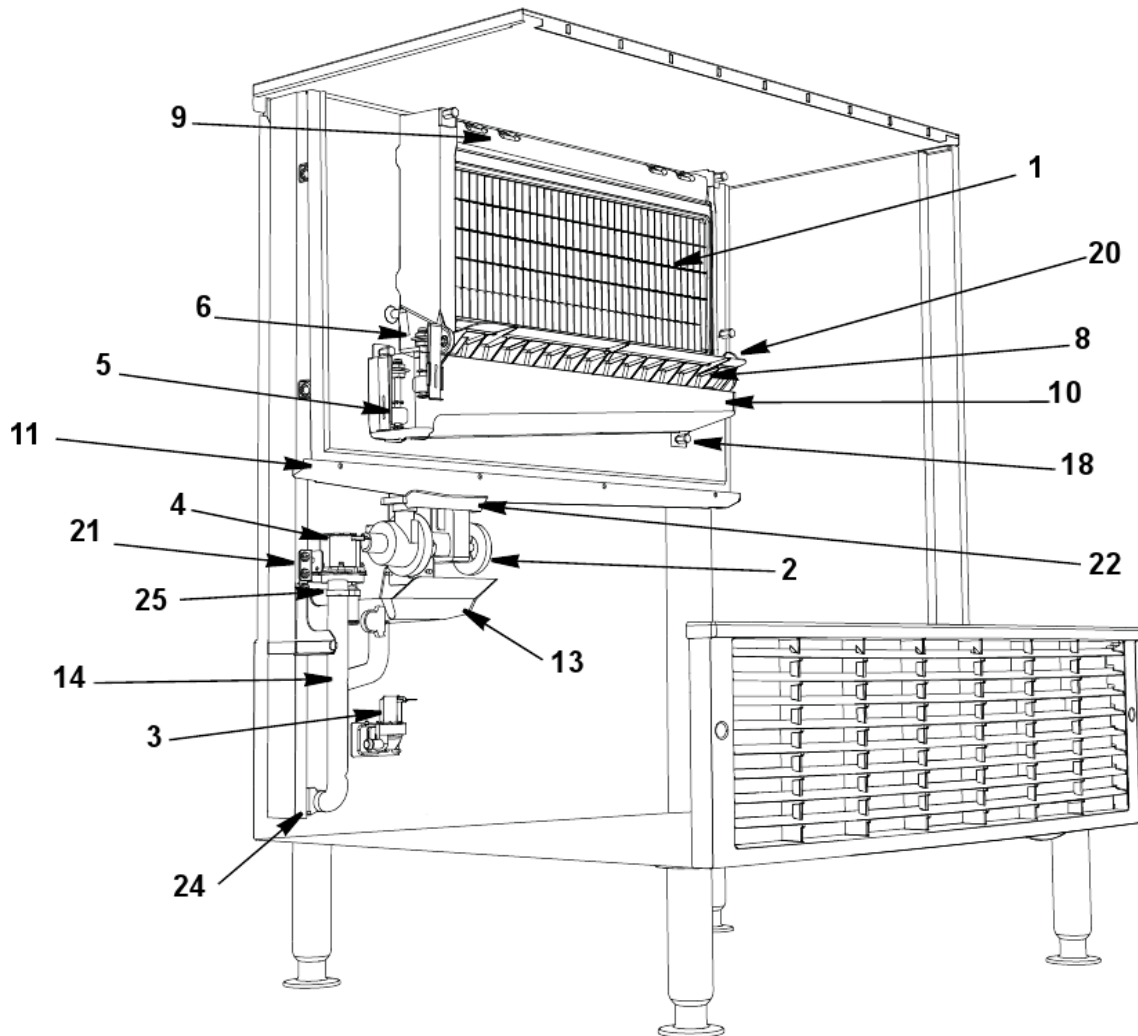
#	PART #	DESCRIPTION	QTY	Note
1	000015302	Control Board Assembly		[1]
1a	000015010	Fuse - 3.15A		
2	000015586	Thermistor Kit		
3		Wiring Harness		
3a	040002052	Wiring Harness - Control Board to Sensors		
3b	000012046	Wiring Harness - Control Board to Touch Pad		
4		Contactor		
4a	2006569	Contactor - 115V/60 Hz/1 Ph		
4b	2006579	Contactor - 230V/50-60 Hz/1 Ph		
5		Start Capacitor		
5a	040005695	Start Capacitor - 115V/60 Hz/1 Ph		
5b	040002851	Start Capacitor - 230V/60 Hz/1 Ph		
5c	040002840	Start Capacitor - 220V/50 Hz/1 Ph		
6		Current Relay		
6a	040005651	Current Relay - 115V/60 Hz/1 Ph		
6b	040002850	Current Relay - 230V/60 Hz/1 Ph		
6c	040002839	Current Relay - 220V/50 Hz/1 Ph		
7		Overload		
7a	040002846	Overload - 230V/60 Hz/1 Ph		
7b	040002836	Overload - 230V/50 Hz/1 Ph		
8		Wiring Harness		
8a	040004016	Wiring Harness - Air-cooled		
8b	040004015	Wiring Harness - Water-cooled		
9		Power Cord		
9a	2006863	Power Cord - 115V/60 Hz		
9b	2006749	Power Cord - 230V/50-60 Hz		
9c	040005840	Power Cord - Flat Blades (AUS)		
9d	2512043	Strain Relief		
10	040002028	Control Box		
11	040002029	Control Box Cover		
12	4302253	Control Board Mounting Supports		
13	5202329	Screw - #10-24 x 0.25" PHIL		
13a	5573209	Star Washer		
14	2500139	Bushing - 1.5"		
15	2501409	Bushing - 0.875"		
16	040002479	Bushing - OSB-22		

PART NOTES:

[1] - Includes board, wiring harness and instructions.

UF0240

UF0240 - Evaporator Compartment - Common Components



UF0240

UF0240 - Evaporator Compartment - Common Components

#	PART #	DESCRIPTION	QTY	Note
1		Evaporator Assembly		
1a	000011554	Evaporator - Regular Cube		
1b	000011553	Evaporator - Dice Cube		
1c	000011552	Evaporator - Half Dice Cube		
2		Water Pump		
2a	040006556	Water Pump - 115V/60 Hz		[1]
2b	040005602	Water Pump - 115V/60 Hz		[2]
2c	040006558	Water Pump - 208-230V/60 Hz		
2d	040006557	Water Pump - 230V/50 Hz		
2e	040003302	Water Pump Flow Restrictor		
3		Water Inlet Valve		
3a	040003579	Water Inlet Valve - 115V/60 Hz		
3b	040003580	Water Inlet Valve - 230V/50-60 Hz/1 Ph		
3c	040003385	Mylar Shield		
4		Water Dump Valve		
4a	000014062	Water Dump Valve - 115V/60 Hz		
4b	000014063	Water Dump Valve - 208-230V/50-60 Hz		
5	040002396	Harvest Float Switch		
5a	040004206	Bracket - Float Switch		
6	040001783	Ice Thickness Float Switch		
6a	040003386	Bracket - Ice Thickness Float Switch		
7	040002393	Magnetic Bin Switch		
8	000011555	Ice Damper		
9	000009075	Water Distribution Cover		
10	040004058	Water Trough		
10a	040002014	Fitting - Water Trough		
10b	040004330	O-ring - 0.8" x 0.07"		
11	040002880	Rear Trough		
13	040006053	Drain Sink		
14	040002013	Drain Tube		[3]
15	040002012	Trough Tube		[4]
16	040002011	Water Tube (water pump to evaporator)		[5]
17	040002452	Water Inlet Valve Tubing		
18	040001217	Thumbscrew - #8-32 x 0.625"		
19	5202069	Screw - #10-24 x 0.5" HEX		
20	000009053	Evaporator Side Damper Mount		
21	040001995	Bracket - Water Dump Valve		
22		Water Pump Mounting - See Notes for Details		
22a	040004784	Bracket - Water Pump		[6]
22b	040004785	Adaptor Bracket - Water Pump		[7]
22c	040005754	Bracket - Water Pump		[8]
22d	040005607	Adapter Bracket - Water Pump		[9]
23	000005423	Female Wing Adapter - 0.5"		
24	5650649	Spray Bar Clamp		
25	5650709	Snap Clamp - 0.799"/0.899" ID		
26	000015586	Thermistor Kit		

UF0240 - Evaporator Compartment - Common Components

UF0240

UF0240 - Evaporator Compartment - Common Components

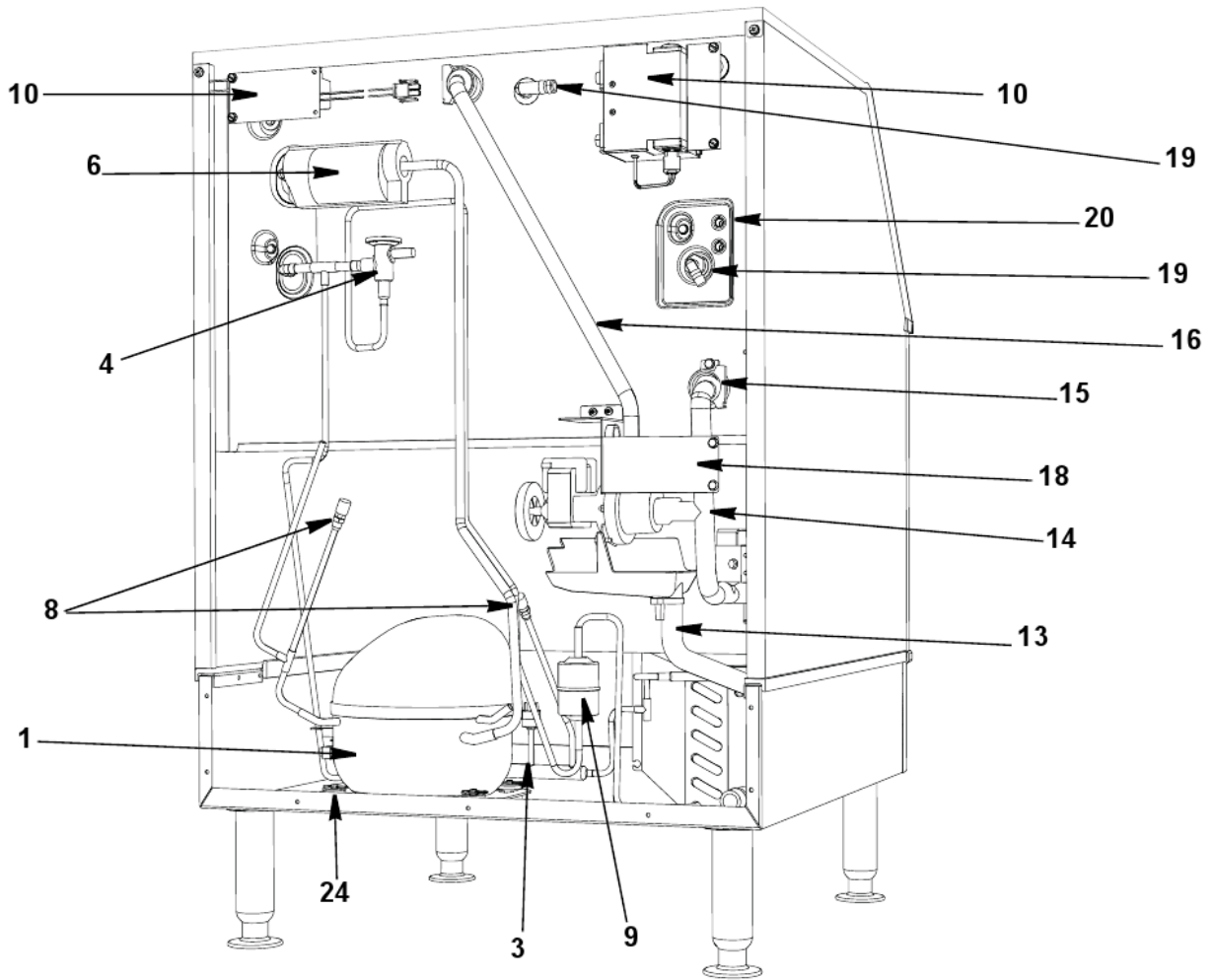
#	PART #	DESCRIPTION	QTY	Note
---	--------	-------------	-----	------

PART NOTES:

- [1] - Air-cooled Models
- [2] - Brackets Sold Separately
Water-cooled Models
- [3] - connects drain sink, dump valve and bin
- [4] - connects water trough to water pump & dump valve
- [5] - water pump to evaporator
- [6] - Used on Air-cooled 115V 230V and Water-cooled 230V Models
- [7] - Used on Air-cooled 115V 230V and Water-cooled 230V Models
- [8] - Used on Water-cooled 115V
- [9] - Used on Water-cooled 115V Models

UF0240

UF0240 - Refrigeration Compartment - Common Components



UF0240

UF0240 - Refrigeration Compartment - Common Components

#	PART #	DESCRIPTION	QTY	Note
1		Compressor		
1a	040005599	Compressor - 115V/60 Hz/1 Ph		[1]
1b	040005651	Current Relay - 115V/60 Hz/1 Ph		
1c	040005695	Start Capacitor - 115V/60 Hz/1 Ph		
1d	040002778	Compressor - Danfoss - 230V/60 Hz/1 Ph		[1]
1e	040002850	Current Relay - 230V/60 Hz/1 Ph		
1f	040002851	Start Capacitor - 230V/60 Hz/1 Ph		
1g	040002846	Overload - 230V/60 Hz/1 Ph		
1h	040002777	Compressor - Embraco - 220-240V/50 Hz		[1]
1i	040002839	Current Relay - 220V/50 Hz/1 Ph		
1j	040002840	Start Capacitor - 220V/50 Hz/1 Ph		
1k	040002836	Overload - 230V/50 Hz/1 Ph		
2		Harvest Valve		
2a	040000689	Harvest Valve - 115V/60 Hz		
2b	040000101	Harvest Valve Coil Only -115V/60 Hz/1 Ph		
2c	040000690	Harvest Valve - 230V/50-60 Hz/1 Ph		
2d	040000103	Harvest Valve Coil Only - 230V/50-60 Hz/1 Ph		
3	000013579	High Pressure Cut-out (Auto-reset)		
4	000011557	Expansion Valve		
4a	3000833	Strap - Expansion Valve Bulb - 0.375"		
5	000012443	Valve Insulation Boot - Body		
6	4007203	Valve Insulation Boot - Bulb		
7	8251063	Manifold Strainer		
8	8373253	Access Valve		
9	000015361	Drier with Access Port		
10	K00454	Luminice II - Bulb		
11	040002442	Bracket - Valve		
12	040002848	Bracket - Overload		
13	040002013	Drain Tube		[2]
14	040002012	Trough Tube		[3]
15	040002014	Fitting - Water Trough		
15a	040004330	O-ring - 0.8" x 0.07"		
16	040002011	Water Tube (water pump to evaporator)		[4]
17	040002452	Water Inlet Valve Tubing		
18		Water Pump Mounting - See Notes for Details		
18a	040004784	Bracket - Water Pump		[5]
18b	040004785	Adaptor Bracket - Water Pump		[5]
18c	040005754	Bracket - Water Pump		[6]
18d	040005607	Adapter Bracket - Water Pump		[7]
19	040003535	Water Adapter Assembly		
20	040002382	Wire Bushing		
21	5650539	Snap Clamp - 1.123 x 1.296		
22	5650529	Clamp - Expansion Valve Bulb		
23	5202069	Screw - #10-24 x 0.5" HEX		
24		Compressor Mounting		
24a	040002893	Mounting - Grommet		[8]

UF0240 - Refrigeration Compartment - Common Components

UF0240

UF0240 - Refrigeration Compartment - Common Components

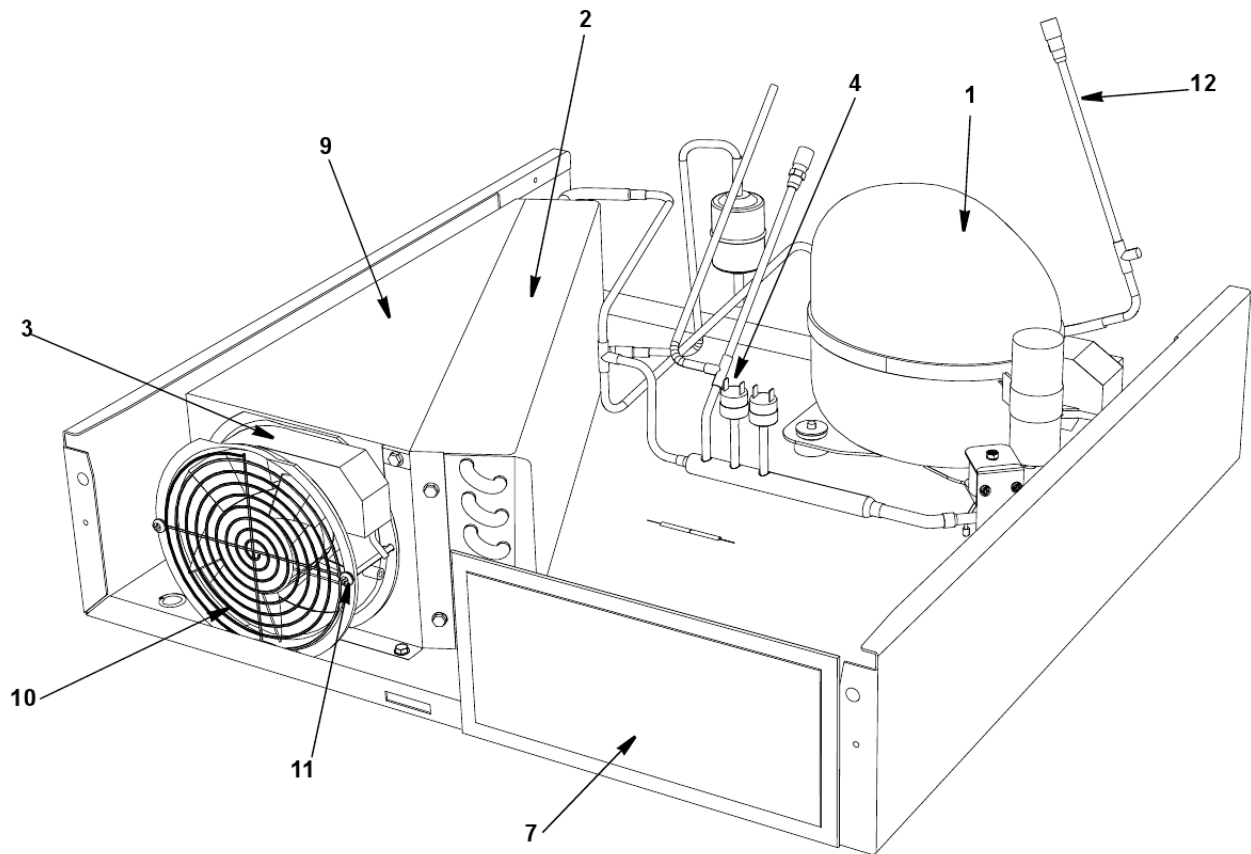
#	PART #	DESCRIPTION	QTY	Note
24b	040002894	Sleeve		[8]
24c	5573099	Mounting - Flatwasher		
24d	3712109	Compressor Clevis Pin - 0.25" x 1.0"		
24e	5648289	Compressor Hairpin Clip		
24f	5648269	Compressor Mounting Retainer		
25	040002848	Bracket - Overload		
26	040002847	Terminal Cover		
27	040005684	Bracket - Capacitor		[9]
27	040002852	Bracket - Capacitor		[10]

PART NOTES:

- [1] - Includes Start Components
- [2] - connects drain sink, dump valve and bin
- [3] - connects water trough to water pump & dump valve
- [4] - water pump to evaporator
- [5] - Used on Air-cooled 115V 230V and Water-cooled 230V Models
- [6] - Used on Water-cooled 115V Models
- [7] - Used on Water-cooled 115V Models
- [8] - Use on 230V Compressors
- [9] - 115V only
- [10] - 230V only

UF0240

UF0240 - Refrigeration Compartment - Air-cooled Components



UF0240

UF0240 - Refrigeration Compartment - Air-cooled Components

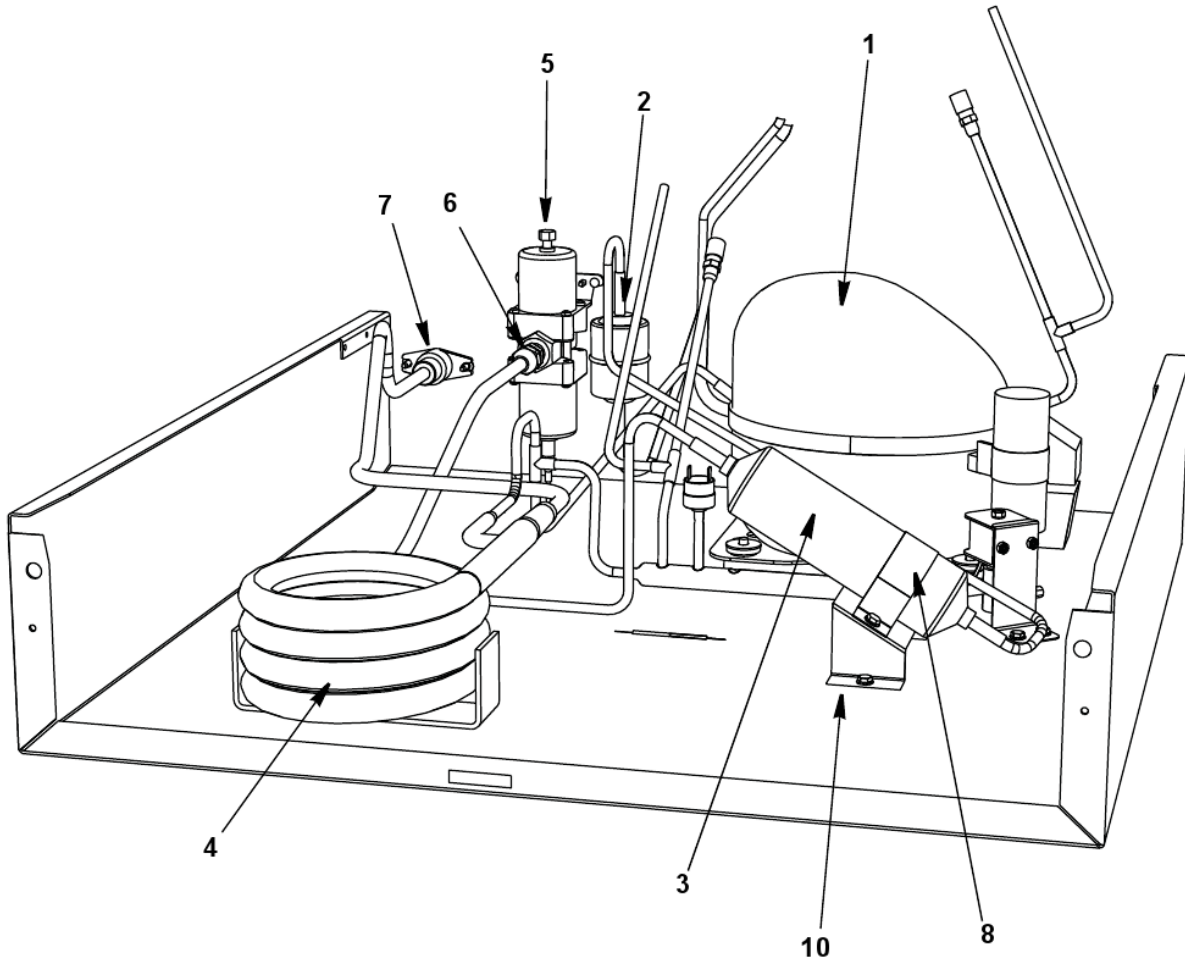
#	PART #	DESCRIPTION	QTY	Note
1		Compressor		[1]
2	040001942	Air Condenser		
3		Fan Motor with Blade		
3a	040001943	Fan Motor - 115V		
3b	040001944	Fan Motor - 230V		
4	000013509	Fan Cycling Control - 225-275 psig		
5	000013579	High Pressure Cut-out (Auto-reset)		
6	000015361	Drier with Access Port		
7	040002435	Air Filter - 11.26" x 5.47"		
8	040003184	Air Deflector		
9	040002031	Fan Shroud		
10	040002384	Fan Guard		
11	040002451	Mounting - Bolts		
12	8373253	Access Valve		
13	040002910	Bracket - Air Filter		

PART NOTES:

[1] - Refer to COMMON PARTS Page

UF0240

UF0240 - Refrigeration Compartment - Water-cooled Components



UF0240

UF0240 - Refrigeration Compartment - Water-cooled Components

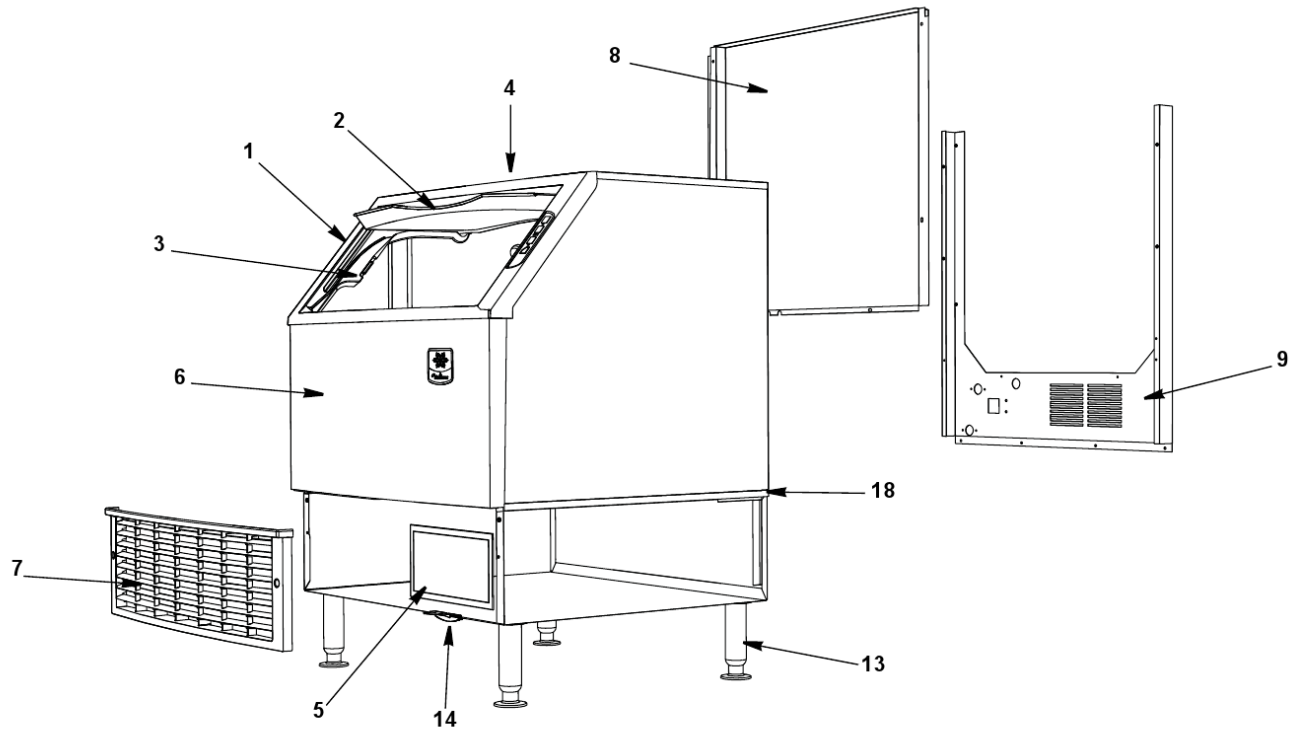
#	PART #	DESCRIPTION	QTY	Note
1		Compressor		[1]
2	000015361	Drier with Access Port		
3	000008892	Receiver		
4	000000045	Water-cooled Condenser		
5	040002912	Water Regulating Valve		
6	5002193	Fitting - Water Regulating Valve		
7	8706103	Adapter - 0.5" NPT x 0.375" ODF		
8	040002045	Strap - Receiver		
9	040002044	Bracket - Receiver		
10	8332023	Coupling - 0.375" MF x 0.375" NPT Brass		

PART NOTES:

[1] - Refer to COMMON PARTS Page

UF0240

UF0240 - Panels



UF0240

UF0240 - Panels

#	PART #	DESCRIPTION	QTY	Note
1	040003501	Door Frame with Touch Pad		
2	040004168	Door		
3	040004329	Door Track Assembly		
4	040004167	Top Cover		
5	040002435	Air Filter - 11.26" x 5.47"		
6	040004104	Cabinet Assembly		
7	040004274	Front Lower Covered Panel (grill)		[1]
7a	040003306	U-Clip		
8	040005608	Back Panel - Upper		
9	040005612	Back Panel - Lower		
10	5202069	Screw - #10-24 x 0.5" HEX		
11	040002930	Ice Scoop - Small - 22 ounces		
12	040002033	Holder - Ice Scoop		
13		Legs - Refer to Sales Price List		
14	040002910	Bracket - Air Filter		
15	040003667	Bracket - Top Cover		
16		Side Panel Brackets		
16a	040003312	Bracket - Side Panel - Right		
16b	040003314	Bracket - Side Panel - Left		
17		Door Track Brackets		
17a	040002046	Bracket - Door Track - Right		
17b	040002047	Bracket - Door Track - Left		
17c	5202099	Screw - #10-24 x 0.5" PHIL		
18		Cabinet Track Brackets		
18a	040001773	Bracket - Cabinet Track - Right		
18b	040001774	Bracket - Cabinet Track - Left		
19	040002020	Bulkhead Gasket		[2]
20	040005812	Cartoning		

PART NOTES:

- [1] - Includes air filter catch
- [2] - seals bulkhead to bin